

STEPS & CAPS

STEPS, CAPS (WALLS, COUNTERS AND PILLARS),
POOL COPPING & OVERLAY SYSTEMS



COMPATIBILITY CHART

Walls & Pillars	Caps															
	Architectural cap	Brandon cap	Bullnose	Bullnose Grande	Graphix cap	Piedimonte	Piedimonte 28" x28"	Portofino	Prima 14"	Raffinato 60 mm	Raffinato 90 mm	Travertina Raw12" x30"	Travertina Raw14" x28"	York	York 28" x28"	York 32" x32"
Borealis (does not require a cap)																
Brandon 90 & 180 mm		x	x	x		x		x		x	x	x	x	x		
Brandon 90 & 180 mm pillar							x			x	x		x		x	
G-Force					x	x				x	x	x	x			
Graphix					x	x				x	x	x	x			
Manchester	x					x		x	x	x	x	x	x	x		
Mini-Creta Collection	x	x	x	x		x		x	x	x	x	x	x	x		
Mini-Creta Pillar 24" Collection							x			x	x		x		x	
Prescott Collection						x		x		x	x	x	x	x		
Prescott Pillar Collection							x			x	x		x		x	
Raffinato Collection				x	x	x				x	x	x	x			
Raffinato Pillar Collection							x			x	x		x			
Röcka (does not require a cap)																
Semma	x	x	x		x	x		x	x	x	x	x	x	x		
Semma Pillar										x			x			x
• Skyscraper										x	x					
Suprema					x	x		x	x	x	x		x	x		
Travertina Raw	x	x	x	x	x	x		x	x	x	x	x	x	x		
Travertina Raw pillar										x	x		x		x	

NOTE: The combinations shown in this chart are not complete. Other possible combinations exist.

• NEW PRODUCT

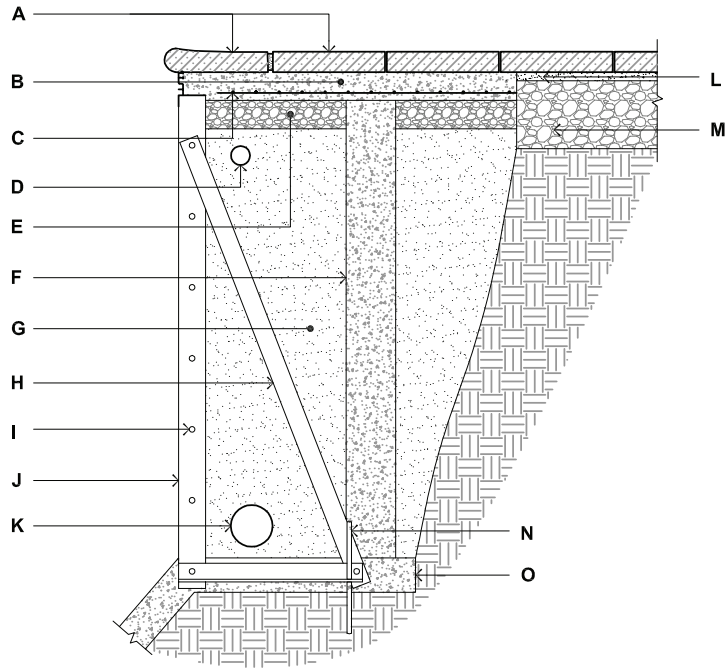
Applications	Caps																						
	Architectural cap	Bali Travertina Raw	Brandon cap	Bullnose	Bullnose Grande	Graphix cap	Piedimonte 12"30"	Piedimonte 14"30"	Piedimonte 28"28"	Portofino	Prima 14"	Raffinato 60 mm	Raffinato 90 mm	Travertina Raw 12"30"	Travertina Raw 14"28"	York wall caps 16", 32", 48"	York 14"48"	York 24"36"	York 28"28"	York 32"32"	Blu 45 mm	Venetian	
Step	x		x	x	x	x	x	x	x	x	x	x	x	x	x	x	x					x	x
Concrete & step overlay system												x										x	x
Pool coping		x		x	x		x	x	x	x	x	x	x	x	x	x							
Wall single-sided	x		x	x	x	x	x	x	x	x	x	x	x	x	x	x	x					x	
Wall double-sided	x					x	x	x		x	x	x	x	x	x	x	x						
Counter top								x	x							x			x	x	x		
Pillar								x			x			x				x	x	x	x		

STEPS, CAPS & OVERLAY SYSTEM

techo-bloc.com

INSTALLATION GUIDE

POOL COPING



- A.** TECO-BLOC POOL COPING AND PAVER SECURED TO CONCRETE SLAB WITH ADHESIVE OR MORTAR
- B.** CONCRETE DECK 39" (1 m) WIDE BY 4" (100 mm) THICK MIN.
- C.** WELDED WIRE MESH, 6 X 6 - W1.4/W1.4 (152 X 152 MW9.1 X MW9.1)
- D.** FLEXIBLE PIPE, 1 1/2" (40 mm) DIAM.
- E.** CLEAN STONE 3/4" (20 mm), 2" (50 mm) THICK MIN.
- F.** CONCRETE PILLAR, 6" (150 mm) DIAM.
- G.** SAND BACKFILL
- H.** STRUT
- I.** POOL PANEL
- J.** POOL LINER
- K.** PERFORATED DRAIN, 4" (100 mm) DIAM. WRAPPED WITH A GEOTEXTILE
- L.** BEDDING COURSE, 1" (25 mm)
- M.** COMPACTED GRANULAR BASE 0-3/4" (0-20 mm) (see table page 242 for thickness)
- N.** STEEL ROD 3/8" (10 mm) ANCHORED TO SUBGRADE
- O.** CONCRETE FOOTING, 4" (100 mm) THICK MIN.



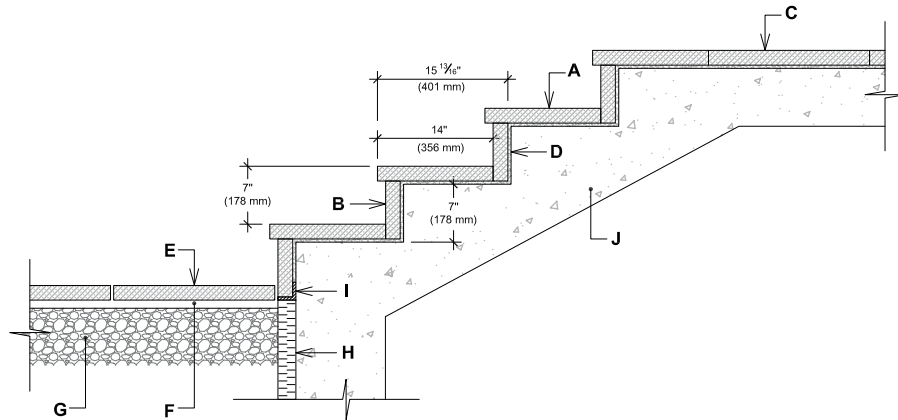
POOL COPING INSTALLATION

Typical cross section

INSTALLATION GUIDE

OVERLAY OF EXISTING CONCRETE STEPS VENETIAN CAP, RISER AND SLAB BLU 45 mm

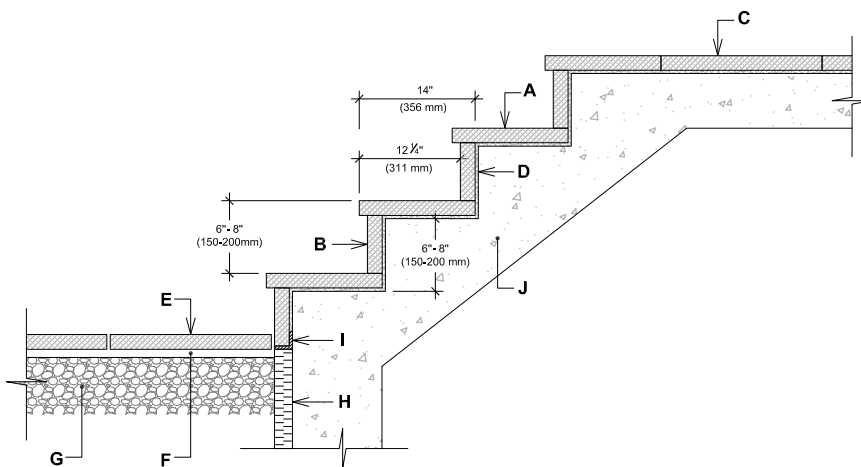
OPTION 1: 7" (178 MM) HIGH RISER



- A. Venetian Cap
- B. Venetian Riser (cut if the riser height is less than 7")
- C. Blu 45 mm Slab (3 sizes)
- D. Adhesive
- E. Techo-Bloc Pavers or Slabs
- F. Setting bed
- G. Compacted granular base 0-3/4" (0-20 mm)
- H. Rigid insulation
- I. Steel angle anchored to concrete
- J. Concrete stairway

STEP OVERLAY SYSTEM INSTALLATION
Typical cross section

OPTION 2: 5 7/8" (150 MM) TO 7 7/8" (200 MM) HIGH RISER



- A. Venetian Cap
- B. Sawn Venetian Riser (depending on the height of the riser)
- C. Blu 45 mm Slab (3 sizes)
- D. Adhesive
- E. Techo-Bloc Pavers or Slabs
- F. Setting bed
- G. Compacted granular base 0-3/4" (0-20 mm)
- H. Rigid insulation
- I. Steel angle anchored to concrete
- J. Concrete stairway

STEP OVERLAY SYSTEM INSTALLATION
Typical cross section