

PRODUCT SPECIFICATIONS



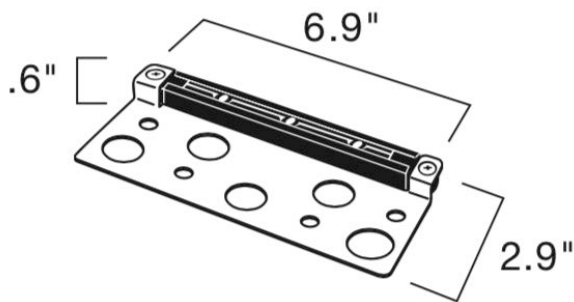
Low Voltage Landscape Lighting Step / Wall Light - A1000 Series

Product Description

The A1000 Step / Wall Hardscape Light is constructed from an aluminum fixture housing, a stainless steel mounting bracket, and a SMD module with 4 LED lights for superior longevity and durability. This fixture is great for areas that require a low profile light fixture that illuminates downward. The A1000 is most commonly used in these applications; steps, retaining walls, counter tops in outdoor kitchens, patios and even property walls. The fixture comes with a 36" wire lead and 2 silicone filled wire connectors that are rated for direct burial and outdoor use. Light up your Outdoor Living Area with the A1000 Hardscape Lights.



Product Dimension



Features & Benefits

- Aluminum & Stainless Steel Construction
- Powder Coated Finishes – Protects fixture from wear and corrosion.
- Available in 3 different finishes, Black, Bronze, or Grey.
- Low profile light fixture that illuminates downward - Fits into areas that other light won't fit.
- Integrated (4) LED 50/50 SMD Module
- Low energy consumption - Low Voltage LED Design.
- Lifespan of 30,000 Hours
- 80 Lumen of Light Output.
- Comes with (2) Silicone Filled Wire Connectors - Rated for direct burial and outdoor use.

Certifications



Specifications

- Construction: Aluminum Fixture with Stainless Steel Bracket.
- Finishes: Black, Bronze, or Grey Powder Coating.
- Lead Wire: 36" (Standard) 18AWG, SPT-1W Black Waterproof Wire.
- Light Source: Integrated (4) LED 50/50 SMD Module, 2700K, 1.2W, 80 Lumen.
- Light Beam Spread: 55°
- Maximum Lamp Rating: 1.4W
- Recommended Lamp Rating: 1.4W
- Operating Voltage: 12V AC/DC
- Shipping Weight: 0.71 lbs
- Dimensions: 6.9" x 2.9" x 0.6"
- Powered By: Low Voltage Transformer (Sold Separately)

Warranty

- Tru-Scapes Lighting Sockets have a Lifetime Warranty.
- Light fixtures of brass, copper or stainless steel, including finishes are warranted for five (5) years.
- LED Bulbs are warranted for five (5) years or 30,000 hours, whichever comes first.
- Stainless Steel, Painted and Weatherproof (plastic housing) transformers, excluding timers and photo cells, are warranted for five (5) years for the original purchaser.
- Tru-Scapes warranties do not cover plants that die or burn because of continuous light shined on them. This is not a defect, but the inherent nature of such plants. Certain acid-loving plants such as arborvitae, pine trees, and others must not be exposed to light of any kind for more than 18 hours a day as these plants need time to sleep and allow photosynthesis to naturally occur.
- Low voltage landscape lighting fixture housings made of brass do naturally patina in color which is not a defect. (Please see www.Tru-Scapes.com for cleaning instructions.)
- See our full Warranty details at www.Tru-Scapes.com/faq.