

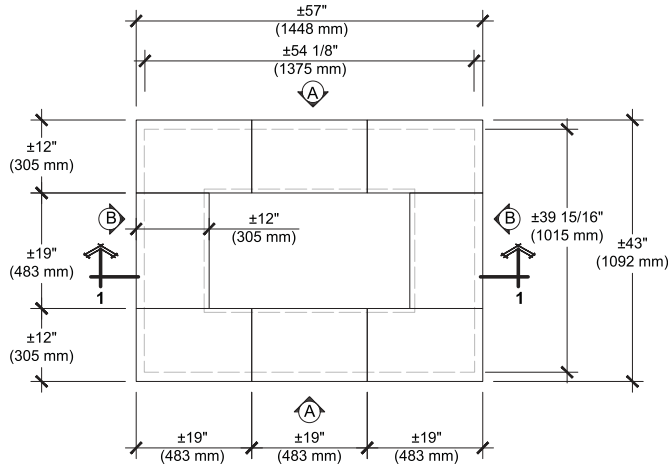
OUTDOOR FEATURES

FIREPLACES, FIRE PITS, & GRILL ISLANDS

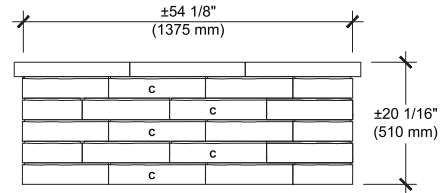


INSTALLATION GUIDE

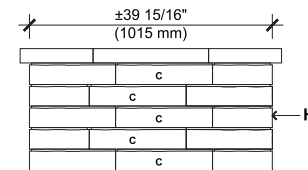
BRANDON RECTANGLE, FIRE PIT (KIT)



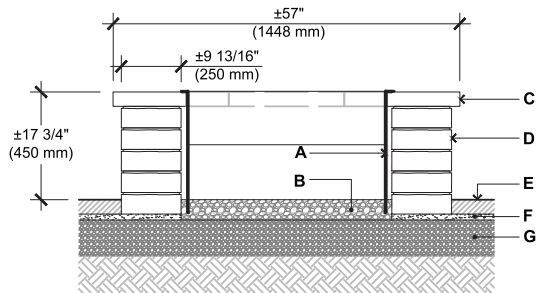
TOP



ELEVATION A



ELEVATION B



SECTION 1-1

- A. STEEL BOX INSERT
- B. CLEAN STONE $\frac{3}{4}''$ (20 mm), 4" (100 mm) THICK
- C. RAFFINATO CAP 60 mm (PRE-CUT)
- D. BRANDON 90 mm BLOCK
- E. TECO-BLOC PAVERS OR SLABS
- F. SETTING BED 1" (25 mm)
- G. COMPACTED GRANULAR BASE 0- $\frac{3}{4}''$ (0-20 mm)
- H. BRANDON 90 mm CORNER BLOCK

QUANTITY OF MATERIALS REQUIRED

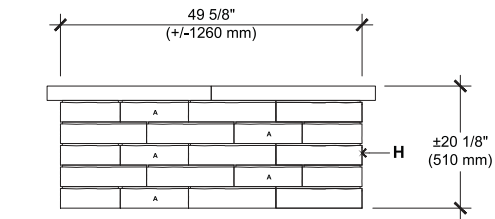
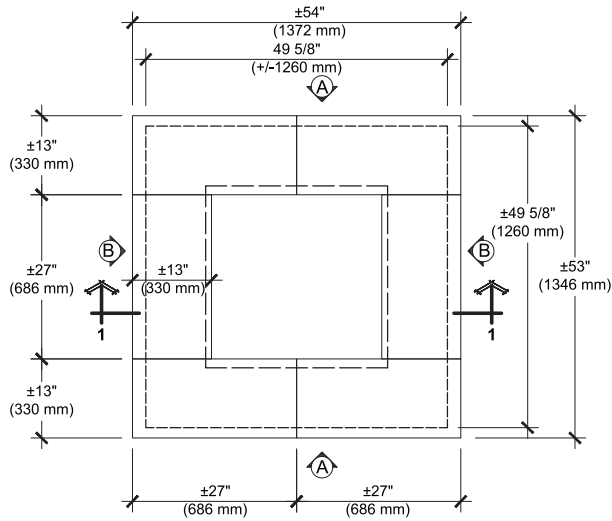
- RAFFINATO CAP 60 mm: 8
- Brandon 90 mm block **C**: 20
- Brandon 90 mm corner block: 30

NOTE: Secure the blocks using a heat resistant concrete adhesive. The installer must ensure that the installation and use of the fire pit comply with local regulations and code requirements.

Consult our Installation Guide in our website for a detail step by step installation.

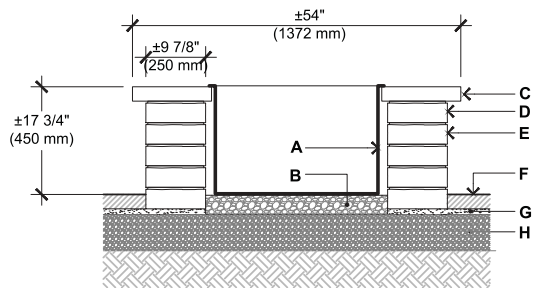
INSTALLATION GUIDE

BRANDON SQUARE, FIRE PIT (KIT)



ELEVATION A

TOP



SECTION 1-1

- A. STEEL BOX INSERT
- B. CLEAN STONE $\frac{3}{4}''$ (20 mm), 4" (100 mm) THICK
- C. RAFFINATO CAP 60 mm (PRE-CUT)
- D. BRANDON 90 mm BLOCK
- E. TECO-BLOC PAVERS OR SLABS
- F. SETTING BED 1" (25 mm)
- G. COMPACTED GRANULAR BASE 0- $\frac{3}{4}''$ (0-20 mm)
- H. BRANDON 90 mm CORNER BLOCK

QUANTITY OF MATERIALS REQUIRED

- RAFFINATO CAP 60 mm: 6
- Brandon 90 mm block: 20 **A**, 20 **B**
- Brandon 90 mm corner block: 20

NOTE: Secure the blocks using a heat resistant concrete adhesive. The installer must ensure that the installation and use of the fire pit comply with local regulations and code requirements.

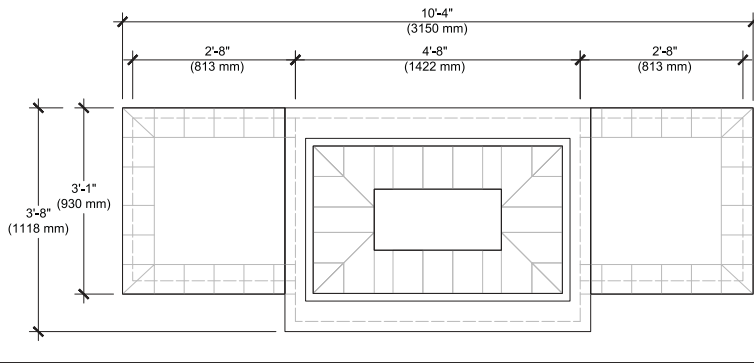
Consult our Installation Guide in our website for a detail step by step installation.

PLEASE REFER TO P.4 FOR THE CORRECT USE AND LIMITATIONS OF PROVIDED TECHNICAL INFORMATION.

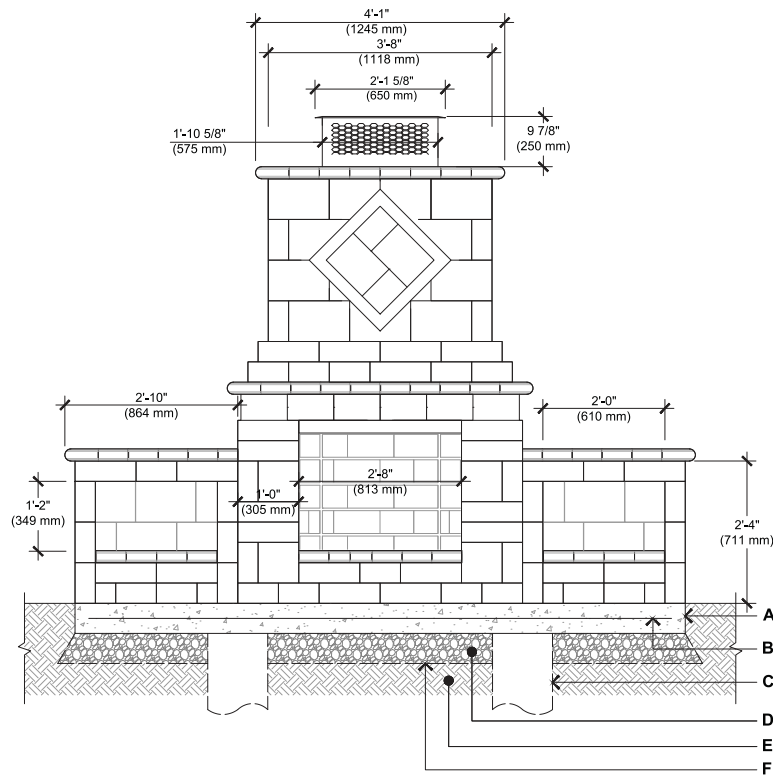
INSTALLATION GUIDE

MANCHESTER FOYER SHALE GREY (PRE-ASSEMBLED KIT)

OUTDOOR
FEATURES

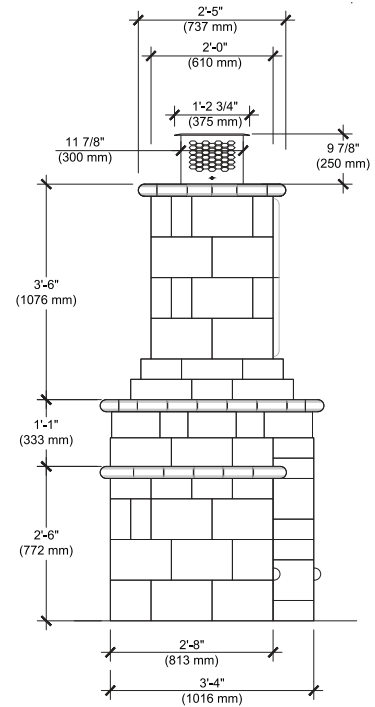


TOP



FRONT

- A.** CAST IN PLACE CONCRETE SLAB - 30 MPa 150 mm (6") THICK
- B.** 152 x 152 MW 18.7 x MW 18.7 (6 x 6-W2.9 x W2.9) WELDED WIRE MESH AS PER SITE CONDITIONS
- C.** 300 mm (12") Ø CONCRETE PILLAR FOUNDATION EXTENDED TO 150 mm (6") BELOW FROST LINE AS PER SITE CONDITIONS AND LOCAL BUILDING REGULATIONS
- D.** 20 mm (3/4") CLEAN STONE 150 mm (6") THICK MIN. AS PER SITE CONDITIONS
- E.** NATURAL SOIL OR COMPACTED BACKFILL
- F.** GEOTEXTILE



SIDE

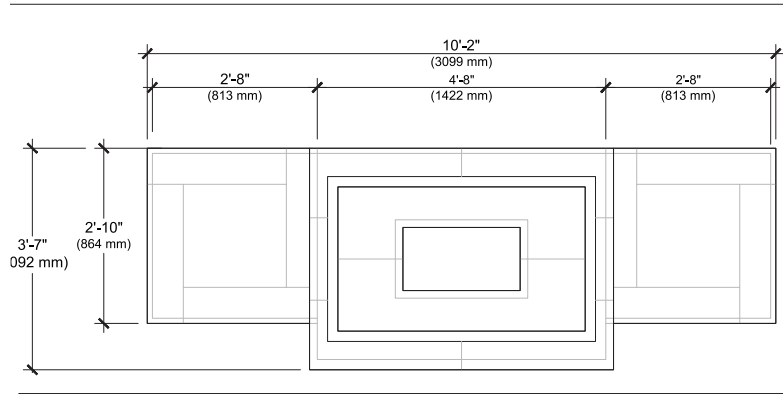
Consult our Installation Guide in our website for a detail step by step installation.

The installer must ensure that the installation and use of the fireplace comply with local regulations and code requirements. Concrete pillars extending to frost line may be required as per local code. Check your local building code before installing.

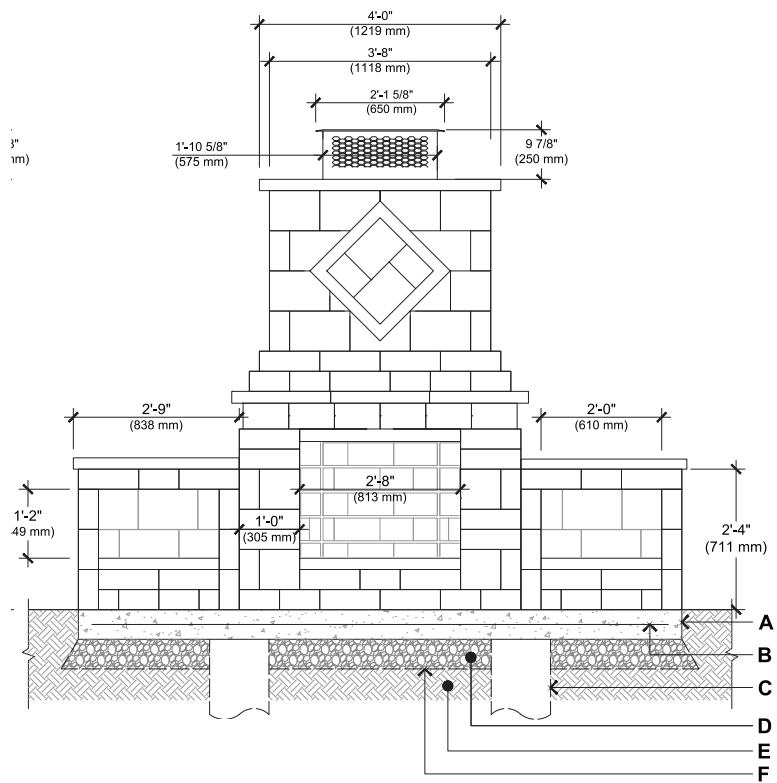
INSTALLATION GUIDE

MANCHESTER FOYER CHESTNUT BROWN (PRE-ASSEMBLED KIT)

OUTDOOR
FEATURES

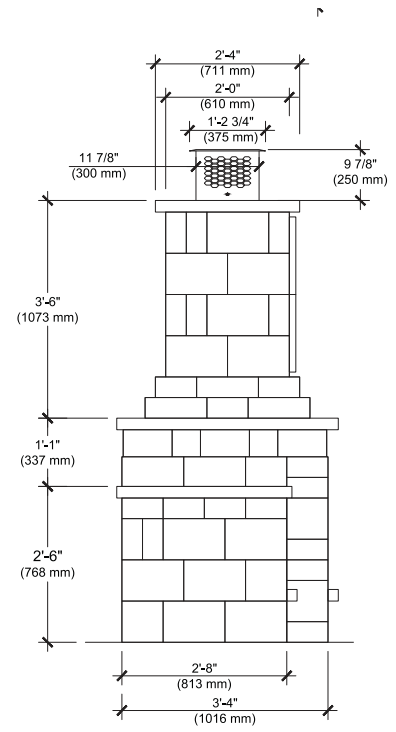


TOP



FRONT

- A.** CAST IN PLACE CONCRETE SLAB - 30 MPa 150 mm (6") THICK
- B.** 152 x 152 MW 18.7 x MW 18.7 (6 x 6-W2.9 x W2.9) WELDED WIRE MESH AS PER SITE CONDITIONS
- C.** 300 mm (12") Ø CONCRETE PILLAR FOUNDATION EXTENDED TO 150 mm (6") BELOW FROST LINE AS PER SITE CONDITIONS AND LOCAL BUILDING REGULATIONS
- D.** 20 mm (3/4") CLEAN STONE 150 mm (6") THICK MIN. AS PER SITE CONDITIONS
- E.** NATURAL SOIL OR COMPACTED BACKFILL
- F.** GEOTEXTILE



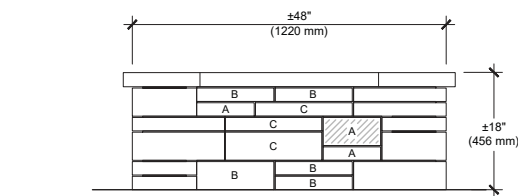
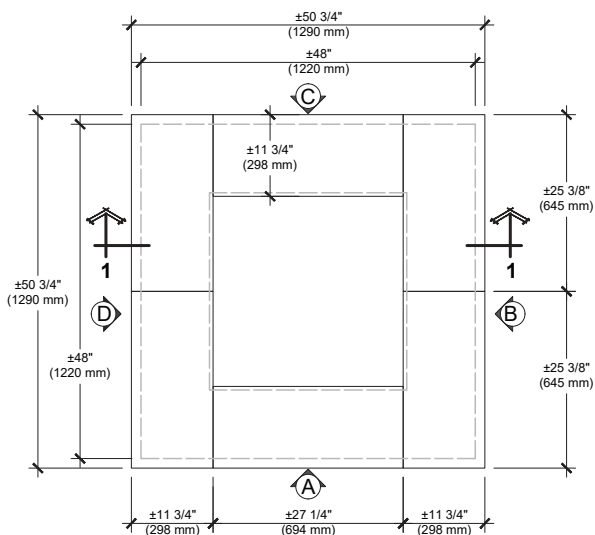
SIDE

Consult our Installation Guide in our website for a detail step by step installation.

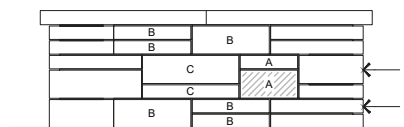
The installer must ensure that the installation and use of the fireplace comply with local regulations and code requirements. Concrete pillars extending to frost line may be required as per local code. Check your local building code before installing.

INSTALLATION GUIDE

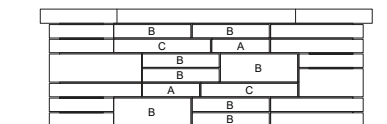
PRESCOTT FIRE PIT (KIT)



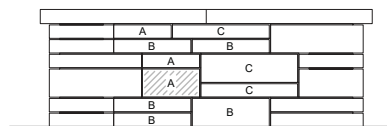
ELEVATION A



ELEVATION B

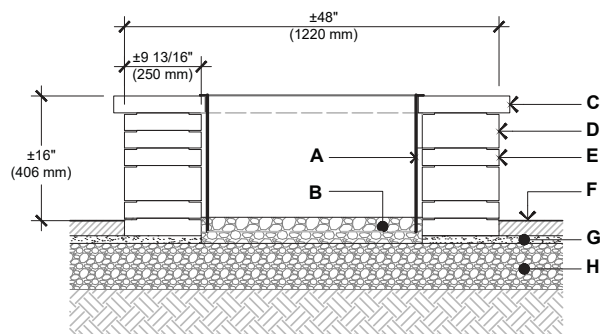


ELEVATION C



ELEVATION D

TOP



SECTION 1-1

- A. STEEL BOX INSERT
- B. CLEAN STONE 3/4" (20 mm), 4" (100 mm) THICK
- C. PIEDIMONTE CAP (CUT)
- D. PRESCOTT 4.5" BLOCK
- E. PRESCOTT 2.25" BLOCK
- F. TECO-BLOC PAVERS OR SLABS
- G. SETTING BED 1" (25 mm)
- H. COMPACTED GRANULAR BASE 0-3/4" (0-20 mm) (SEE TABLE PAGE 62 FOR THICKNESS)
- I. PRESCOTT 4.5" CORNER BLOCK
- J. PRESCOTT 2.25" CORNER BLOCK

QUANTITY OF MATERIALS REQUIRED

- Piedimonte cap: **6**
- Prescott 2.25" block: **7 A, 18 B, 7 C**
- Prescott 4.5" block: **3 A, 6 B, 3 C**
- Prescott 2.25" corner block: **16**
- Prescott 4.5" corner block: **6**

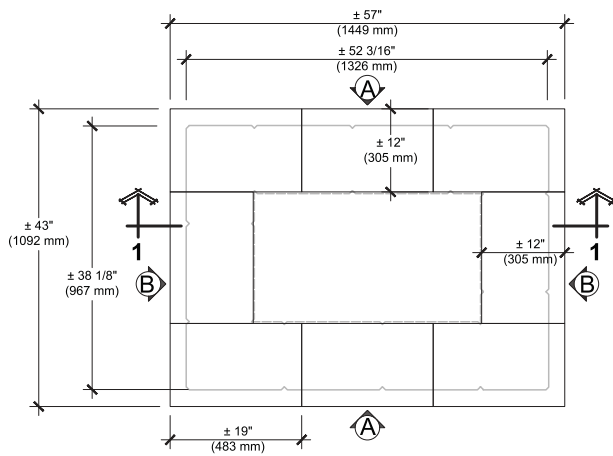
NOTE: Secure the blocks using a heat resistant concrete adhesive. The installer must ensure that the installation and use of the firepit comply with local regulations and code requirements.

Consult our Installation Guide in our website for a detailed step by step installation.

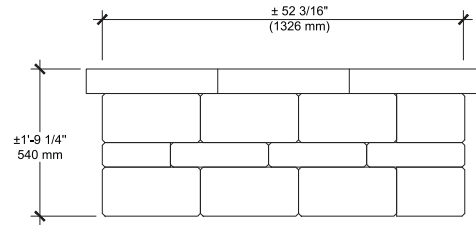
PLEASE REFER TO P.4 FOR THE CORRECT USE AND LIMITATIONS OF PROVIDED TECHNICAL INFORMATION.

INSTALLATION GUIDE

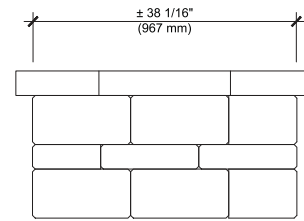
RAFFINATO FIRE PIT (KIT)



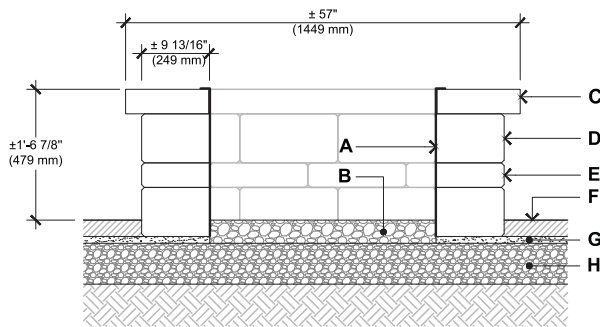
TOP



ELEVATION A



ELEVATION B



SECTION 1-1

- A. STEEL BOX INSERT
- B. CLEAN STONE $\frac{3}{4}"$ (20 mm), 4" (100 mm) THICK
- C. RAFFINATO CAP 90 mm (PRE-CUT)
- D. RAFFINATO 180 mm CORNER BLOCK
- E. RAFFINATO 90 mm CORNER BLOCK
- F. TECO-BLOC PAVERS OR SLABS
- G. SETTING BED 1" (25 mm)
- H. COMPACTED GRANULAR BASE 0- $\frac{3}{4}"$ (0-20 mm)

QUANTITY OF MATERIALS REQUIRED

- Raffinato cap 90 mm: **8**
- Raffinato 90 mm corner block: **10**
- Raffinato 180 mm corner block: **20**

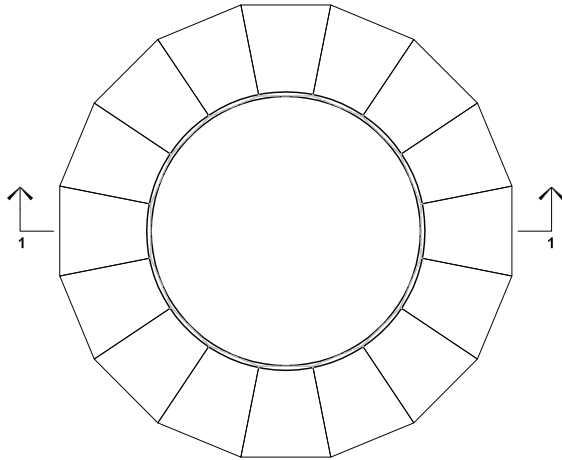
NOTE: Secure the blocks using a heat resistant concrete adhesive. The installer must ensure that the installation and use of the firepit comply with local regulations and code requirements.

Consult our Installation Guide in our website for a detail step by step installation.

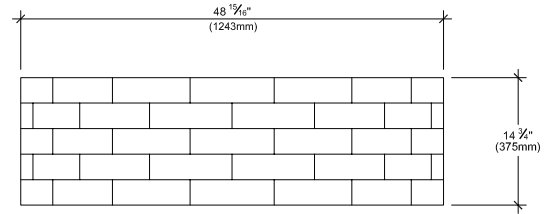
PLEASE REFER TO P.4 FOR THE CORRECT USE AND LIMITATIONS OF PROVIDED TECHNICAL INFORMATION.

INSTALLATION GUIDE

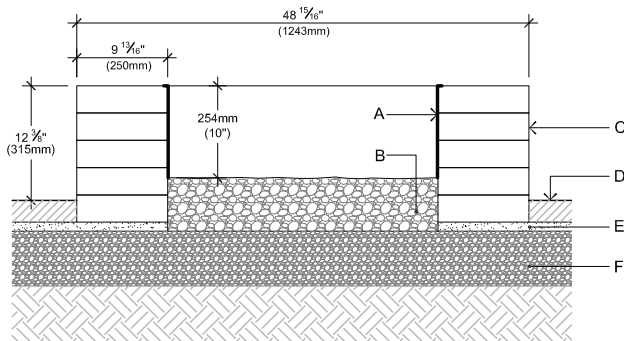
VALENCIA FIRE PIT (KIT)



TOP VIEW



ELEVATION A



SECTION 1-1

- A. STEEL BOX INSERT
- B. CLEAN STONE 3/4" (20 mm), 6" (150 mm) THICK
- C. VALENCIA BLOCK
- D. TECO-BLOC PAVERS OR SLABS
- E. SETTING BED 1" (25 mm)
- F. COMPACTED GRANULAR BASE 0-3/4" (0-20 mm)

QUANTITY OF MATERIALS REQUIRED

- Valencia block: **80**

NOTE: Secure the blocks using a heat resistant concrete adhesive. The installer must ensure that the installation and use of the fire pit comply with local regulations and code requirements.

Consult our Installation Guide in our website for a detail step by step installation.